

**DRAGON SERIES AUTOMATIC CARPET
DUSTING MACHINES
2500/3500/4200
MODELS
USER MANUAL**

CONTENTS

- 1.) Product description and technical information
- 2.) Transportation and mounting
- 3.) Electricity
- 4.) Operating of machine and dusting
- 5.) Warnings and precautions
- 6.) Operator
- 7.) Maintenance instruction
- 8.) Technical service
- 9.) Dusting capacity

1.) Product description and technical information

DRAGON 2500

Supply voltage: 380 V

Frequency: 50 Hz

Maximum Power: 5 KW

Dimensions: 1570 mm x 3220 mm x
1330 mm

Weight: 900 kg

DRAGON 3500

Supply voltage: 380 V

Frequency: 50 Hz

Maximum Power: 5 KW

Dimensions: 1570 mm x 4230 mm x
1330 mm

Weight: 1050 kg

DRAGON 4200

Supply voltage: 380 V

Frequency: 50 Hz

Maximum Power: 5 KW

Dimensions: 1570 mm x 5050 mm x 1330 mm

Weight: 1230 kg

2.) Transportation and mounting

2.1) Transportation

The machine should be brought into the area where the machine is to be operated with a forklift or a crane.

All safety precautions should be observed at the moment of transport. The machine should be transported in working position.

Damage incurred during transport is not scoped by the warranty.

2.2) Mounting

The machine should be placed on a flat surface.

The machine should be placed in an area where the operator can operate comfortably.

All occupational health and safety precautions should be applied.

3.) Electricity

The residual current device, RCD (30mA protection) should be connected to the input of the panel where the machine will receive energy.

After connecting an additional PE line to the machine chassis, the necessary earth continuity test should be applied.

The user is responsible for the damage, risks and hazards that may occur as a result of not carrying out this test.

The supply of the machine should be as indicated on the nameplate.

If your machine is away from the control panel, the mobile cable used for connection purposes should be in accurate cross-sectional area, new and certified.

Before energizing the machine, breakers, cables etc. should be checked.

If any component is damaged, it should be repaired.

The electrical installation to which the machine is to be connected should comply with the standards and must be checked by a specialist.

When the machine is first started or during operation, if electric motors are overheated or the motors do not get into full speed or the motors are reversed, then the main disconnecting device should be turned OFF, and the controls need to be done again.

Faults caused by connection faults and fluctuations in the electricity supply are not scoped by the warranty.

4.) Operating of machine and dusting

4.1.) Operating of machine

Please read the user manual carefully before using the machine.

The machine must be used after providing all necessary conditions in the environment.

It is recommended not to exceed the working capacity of the machine. If the machine is used very intensively, after four hours of operation, the machine should be rested for half an hour.



Before any system is activated on the machine, the carpet must be placed on the carpet area in the front of the machine, wrapped around the transport container.

The carpet is placed in the front upper part of the machine with the base facing upwards. Then press the start button on the machine panel and the machine is activated.

The machine will slowly roll the carpet through the rollers and the carpet whipping will begin. With the end of the whipping process, the first roll is made to the carpet coming to the collector roller. The carpet is expected to run out of the collector roller and the carpet is removed from the machine.

5.) Warnings and precautions

If the machine's doors are open, the machine should not be approached with weft, shawl, etc.

If the carpet gets stuck in any place during the whipping process, intervention by hand is not permitted while the machine is running. Intervention by hand may cause serious injury. The machine must be stopped using the emergency stop buttons on the machine. The band rollers are then rotated in the opposite direction of the working direction using the button that adjusts the rotation direction and rotation of the belt. Thus, the carpet is removed from the place where the jam.

There should be a fan that opens to the outside of the machine. Since it is a dust extraction machine, ventilation of the environment is important for health. The operator using the machine must wear a mask.

The machine should not be used for whipping worn carpets.

It can cause the carpet to be torn or damaged if dusting.

Care should be taken when giving carpets to the machine. While giving carpet to the machine, it should not be handed under the rollers.

The process of placing large carpets on the machine should be done with two persons.

In the case of bottom worn carpets, the roll process may not take place since the bands cannot form enough friction force on the bottom of the carpet.

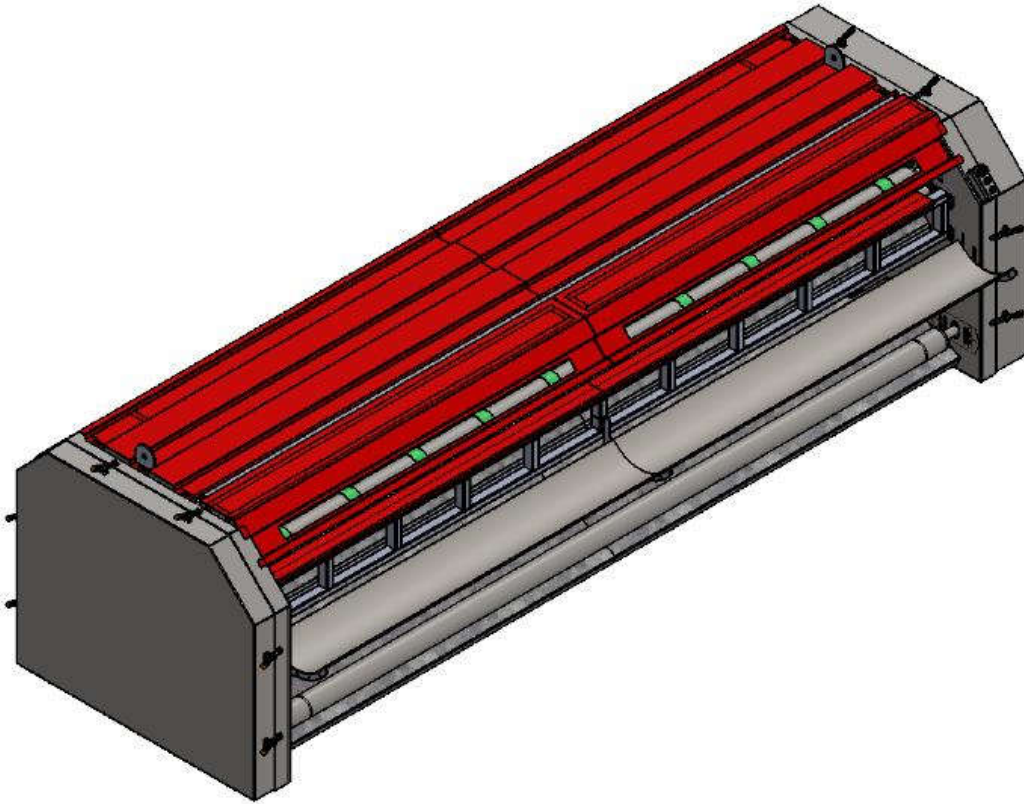
In such cases, the operator must continue by manually interfering with the roll process of the carpet in front of the collector roller in order to ensure the continuity of the roll operation.

5.1.) Security Precautions

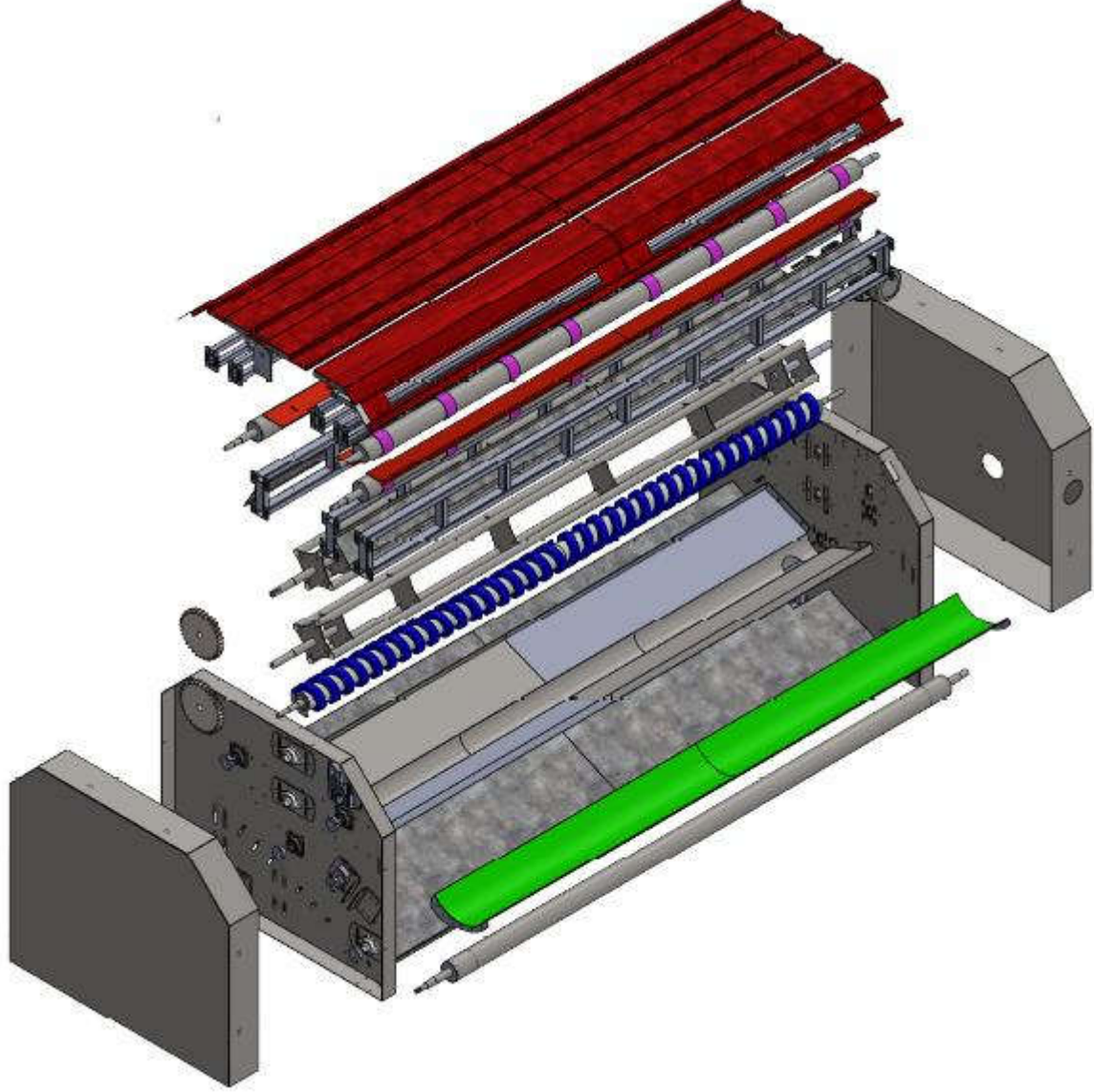
The operator is responsible for all safety precautions to be taken during the operation of the machine.

The operator must ensure that there is no electrical leakage in the environment where the machine is operating.

DRAGON SERIES DUSTING MACHINE GENERAL VIEW



DRAGON SERIES DUSTIN MACHINE DETAIL VIEW



SCREEN BOX BUTTONS AND DUTIES



Emergency Button

Use to stop the machine in case of emergency. There are two pieces on the machine. One of them is on the display box and the other on the right rear of the machine.



Direction Button

Two pieces on the display box. One of them is used to adjust the direction of rotation of the tape and the other to adjust the position of the disc brushes.



Speed Adjustment Button

There are 3 units on the machine display panel. One of them is the band rotation speed adjustment, the second is the disk brush rotation speed adjustment, and the third one is used for speed adjustment.



Stop Button

It is the button used to stop the machine.



Start Button

It is the button used to operate the machine.

6.) Operator

In the case of machine use, the person or persons who will use the machine should be informed about how to use them.



7.) Maintenance instruction

The machine should be disconnected from the mains before starting maintenance. The machine should be serviced by authorized person or persons. After every 10,000 m² carpet dusting process is finished, the carpet hairs accumulated on the machine should be cleaned.

Care should be taken to ensure that the bearings are lubricated correctly and timely. After every 10,000 hours of operation, the bearings must be lubricated.

8.) Technical service

The decisive factor in service is the contract with the buyer. Service is provided by the “Komman Makina” itself or by authorized services designated by the “Komman Makina”.

Maintenance of all machines not scoped by the warranty or expired warranty is made for a fee. If the machine is not scoped by the warranty service, fee will be charged.

9.) Dusting capacity

Dragon series dusting machines have an average carpet capacity of 120 m² per hour.

WARNING SIGNS



Do not interfere with the wiring of the motors without making sure that the panel is completely deenergized.



Manual operation on any part of the machine while the machine is running can cause your hand to be pinched under the pressure roll, the bottom of the disc brushes, the large car and the roller rake cart wheels. For this reason, the machine should not be operated manually in any part of the machine while it is running.



Since the machines are dust-removing machines, there should be a fan that opens out in the environment of the machine and the environment should be well ventilated. At the same time, the operator who uses the machine must use masks due to occupational health and safety.

ELECTRONIC CIRCUIT DIAGRAMS

