



KOBRA SERIES CARPET SQUEEZING MACHINE

2700/3300/4200/5200

PISTON AND MANUAL MODELS

USER MANUAL

CONTENTS

- 1.) Product description and technical information
- 2.) Transportation and mounting
- 3.) Electricity
- 4.) Operating of machine and squeezing
- 5.) Warnings and precautions
- 6.) Operator
- 7.) Maintenance instruction
- 8.) Lid settings
- 9.) Technical service
- 10.) Squeezing capacity

1.) Product description and technical information

KOBRA 2700 (Ø38)

Supply voltage: 380 V
Frequency: 50 Hz
Maximum Power: 15 KW
Dimensions: 1650 mm x 1380 mm x 3150 mm
Weight: 510 kg

KOBRA 4200(Ø42)

Supply voltage: 380 V
Frequency: 50 Hz
Maximum Power: 15 KW
Dimensions: 1840 mm x 1520 mm x 4650 mm
Weight: 820 kg

KOBRA 3300 (Ø42)

Supply voltage: 380 V
Frequency: 50 Hz
Maximum Power: 15 KW
Dimensions: 1840 mm x 1520 mm x 3750 mm
Weight: 650 kg

KOBRA 4200(Ø48)

Supply voltage: 380 V
Frequency: 50 Hz
Maximum Power: 15 KW
Dimensions: 1840 mm x 1520 mm x 4650 mm
Weight: 870 kg

KOBRA 5200(Ø48)

Supply voltage: 380 V
Frequency: 50 Hz
Maximum Power: 15 KW
Dimensions: 1840 mm x 1520 mm x 5650 mm
Weight: 1020 kg

2.) Transportation and mounting

2.1) Transportation

The machine should be brought into the area where the machine is to be operated with a forklift or a crane.

All safety precautions should be observed at the moment of transport. The machine should be transported in working position.

Damage incurred during transport is not scoped by the warranty.

2.2) Mounting

The machine should be placed on a flat surface. The machine should never be fixed to the floor. Damage caused by fixing the machine to the floor is not scoped by the warranty (See Figure 1 and Figure 2).

The machine should be placed in a area where the operator can operate comfortably.

All occupational health and safety precautions should be applied.

3.) Electricity

The residual current device, RCD (30mA protection) should be connected to the input of the panel where the machine will receive energy.

After connecting an additional PE line to the machine chassis, the necessary earth continuity test should be applied.

The user is responsible for the damage, risks and hazards that may occur as a result of not carrying out this test.

The supply of the machine should be as indicated on the nameplate.

If your machine is away from the control panel, the mobile cable used for connection purposes should be in accurate cross-sectional area, new and certified.

Before energizing the machine, breakers, cables etc. should be checked.

If any component is damaged, it should be repaired.

The electrical installation to which the machine is to be connected should comply with the standards and must be checked by a specialist.

When the machine is first started or during operation, if electric motors are overheated or the motors do not get into full speed or the motors are reversed, then the main disconnecting device should be turned OFF, and the controls need to be done again.

Faults caused by connection faults and fluctuations in the electricity supply are not scoped by the warranty.

DETAILED DESCRIPTION OF THE PLACEMENT OF THE MACHINE ON THE FLOOR

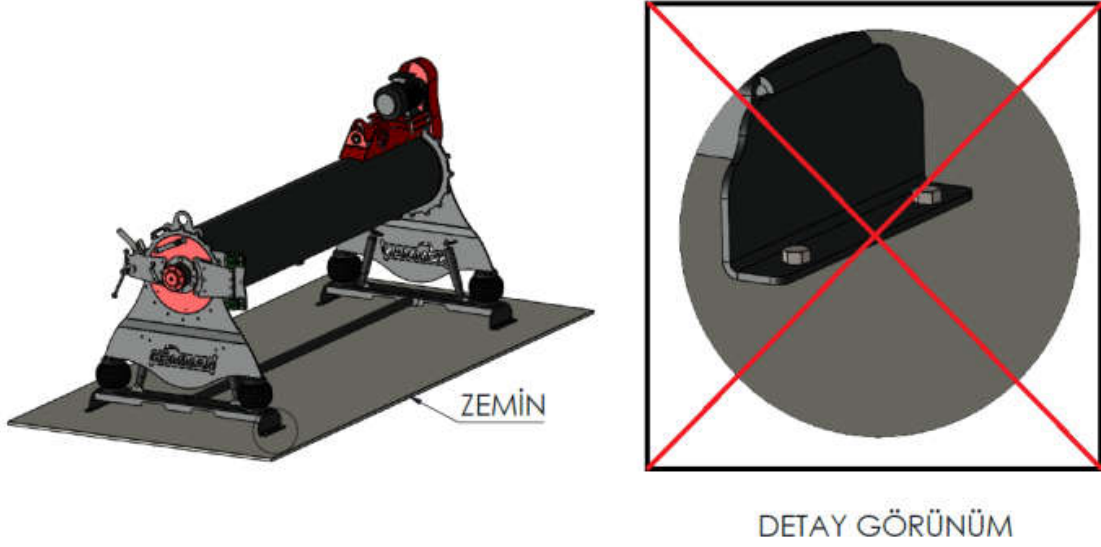


Figure 1 Incorrect placement of the machine on the floor

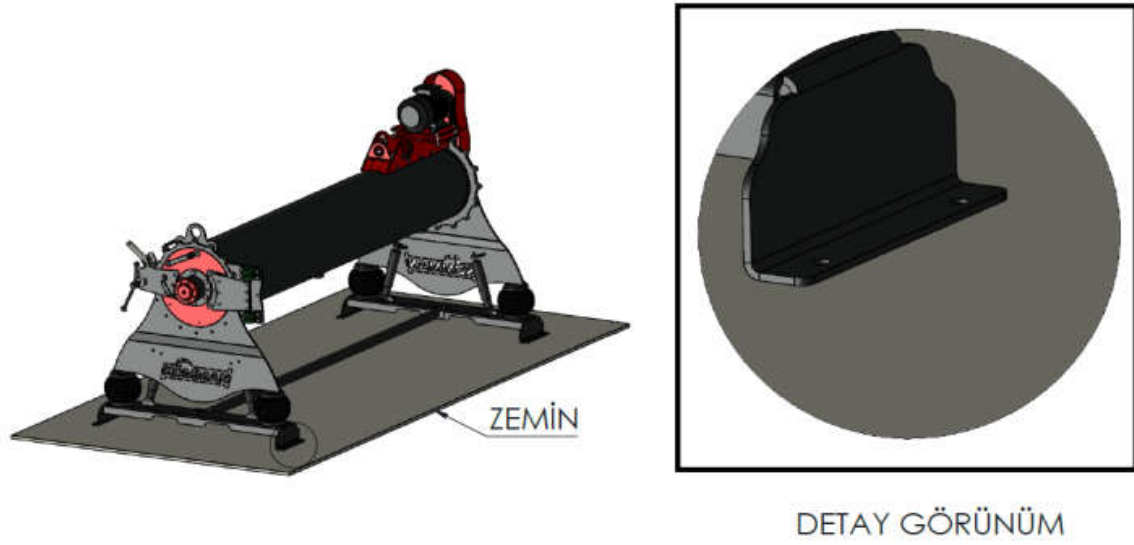


Figure 2 Correct placement of the machine on the floor

4.) Operating of machine and squeezing

4.1.) Operating of machine

Please read the user manual carefully before using the machine. Use and maintenance of the machine should be performed by authorized persons.

The machine should be used after all the necessary conditions are provided.



It is recommended not to exceed the working capacity of the machine.

If the machine is used very intensively, the machine should be rested for half an hour after every four hours of operation.

Carpet spinning machines are machines that need to be operated with balanced loading.

The carpet should be placed in the right direction and the center of the machine in front and rear (See Figure 3, Figure 4, Figure 5 and Figure 6).

Placing the carpet inside the machine in the opposite and unstable direction will cause the machine to operate with abnormal noises and making it difficult to stand in place.

If it occurs, the machine should be stopped and not forced to operate.

In the machine, more than one carpet should not be placed at the same time. All responsibility for damages resulting from the application of such a procedure belong to the user.

After your machine meets the above requirements, the carpet to be tightened is brought closer to the machine by using a carpet transport truck.

The carpet is placed in the center of the machine.

Make sure the cover is fully closed.

With the completion of the above steps, the machine is ready for clamping.

The timer is set by using the time relay on the panel.

The machine cover should not be opened without making sure that the motor is fully stopped.

4.2) Squeezing

The machine is started by pressing the green button on the panel in order to start the machine prepared for operation.

The time set with the time relay is expected to be completed.

5.) Warnings and precautions

The operator is responsible for all safety precautions to be taken during the operation of the machine.

The operator must ensure that there is no electrical leakage in the environment where the machine is operating.

THE SCHEMATIC IMAGE OF THE PLACEMENT OF THE CARPET TO MACHINE

The schematic view of the correct placement of the carpet into the machine in the event of the machine running counterclockwise is shown in Figure 3, the schematic view of the wrong placement is shown in Figure 4. The center of the carpet inside the machine is shown in Figure 5. All malfunctions and damages caused by non-compliance with the machine operation shown in the figures are not scoped by the warranty.



Machine Direction



Figure 3 Correct placement

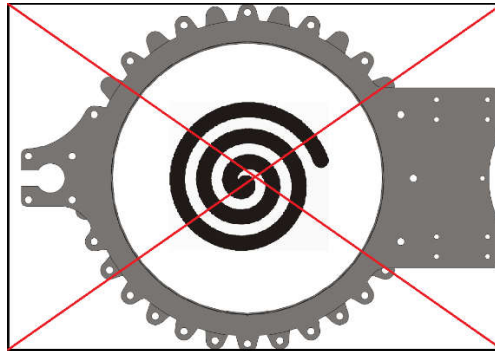


Figure 4 Incorrect placement

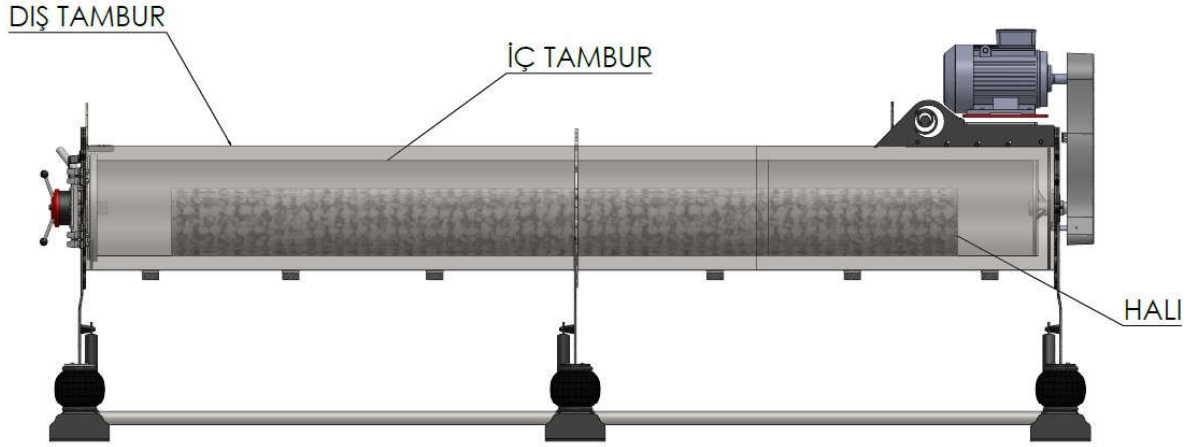


Figure 5 The centering of the carpet in the machine

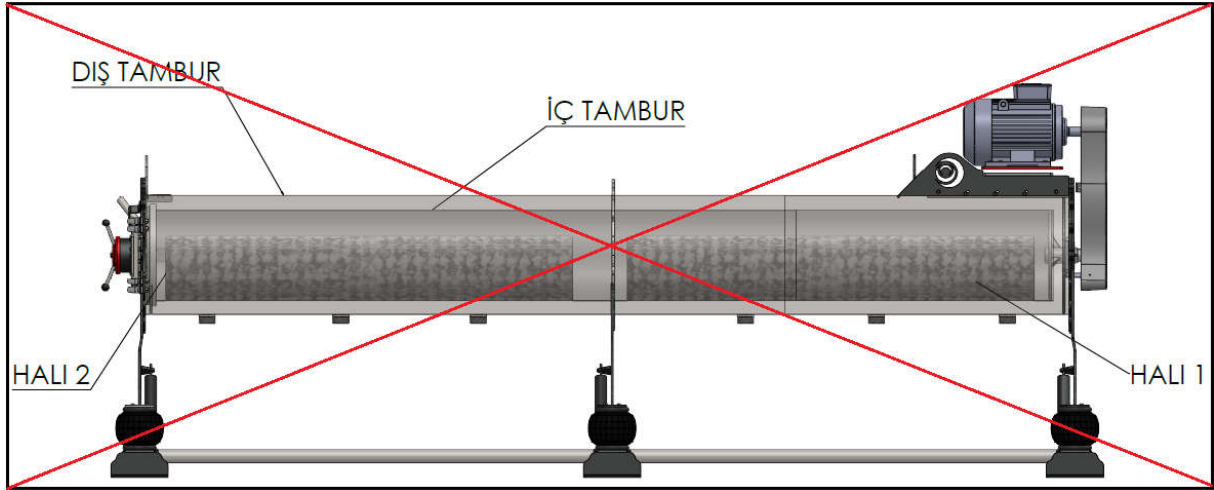


Figure 6 Multiple Carpet Overlay Inside Machine

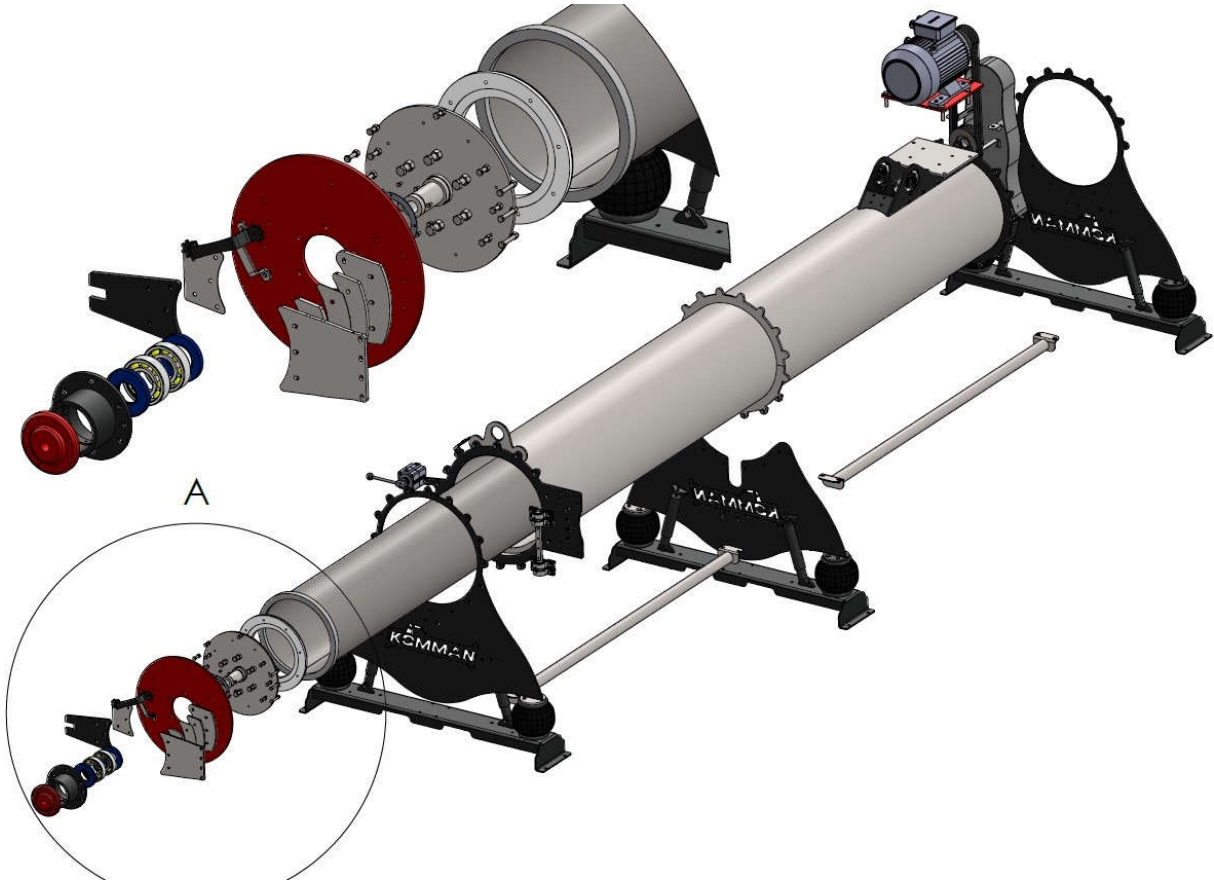
The machine should not squeeze more than one carpet at the same time.

Faults caused by this process are excluded from the warranty.

KOBRA SERIES GENERAL VIEW



KOBRA SERIES DETAILED VIEW



SCREEN BOX BUTTONS AND DUTIES



Stop Button

It is the button used to stop the machine.



Start Button

It is the button used to operate the machine.



Timer

It is the device used to adjust the squeeze time of the machine.



Warning Lamp

The lamp that indicates whether the machine is operational or not.

6.) Operator

In the case of machine use, the person or persons who will use the machine should be informed about how to use them.

7.) Maintenance

The machine should be disconnected from the mains before starting maintenance. The machine should be serviced by authorized person or persons. Care should be taken to ensure that the bearings are lubricated correctly and timely. After a minimum of 240 hours of operation, the bearings should be lubricated with water resistant rubber grease.

8.) Cap Settings

Due to the unstable operation of the machine, the time and cover setting may change. The operator adjusts the cover by himself using the bolts in figure 7 and figure 8.

If the door has fallen down, loosen the three bolts in the flange that connect the cover to the hinge and lift the cover up and tighten the bolts again.

If the cover is shifted to the right or left, the bolts of the bearings are loosened and the cover is adjusted by sliding it to the right or left. After the cap is in the desired position, the bolts are tightened (see Figure 7 and Figure 8).

Castermid and o-ring controls on the cover should be checked, if wear has occurred, they should be replaced (See Figure 9 and Figure 10).

9.) Technical service

The decisive factor in service is the contract with the buyer. Service is provided by Komman Makina or by authorized services designated by Komman Makina.

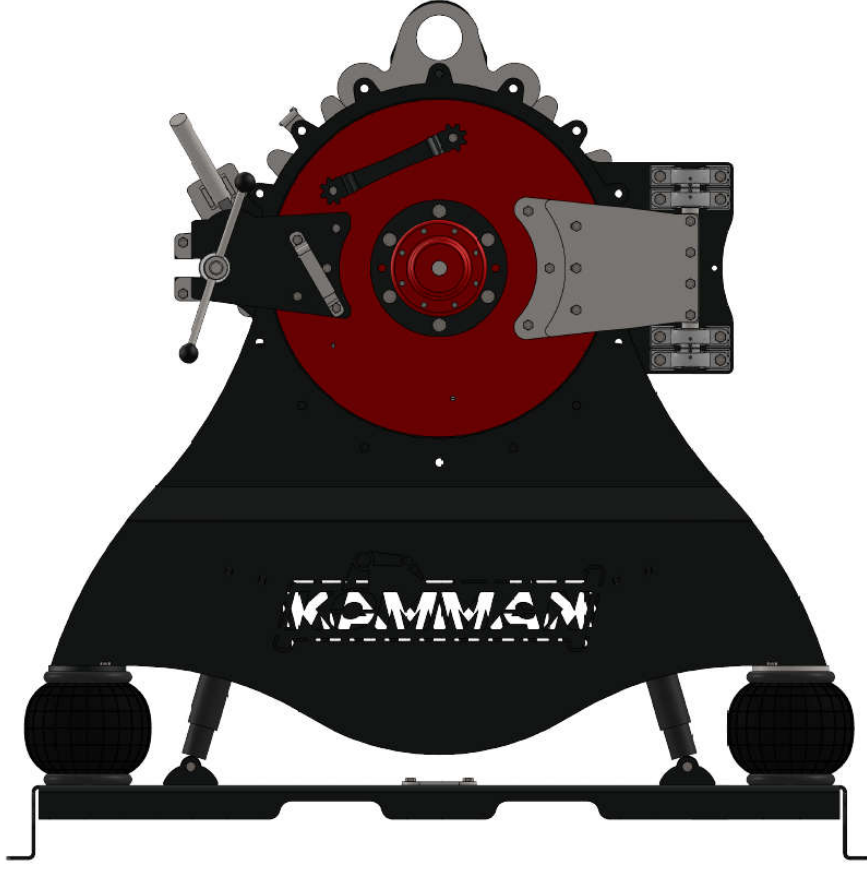
Maintenance of all machines not covered by the warranty or expired warranty is made for a fee.

If the machine is not covered by the warranty, the service will be charged for the shipping fee.

10.) Squeezing capacity

Kobra series squeezing machines have an average carpet capacity of 120 m² per hour.

DETAILED DESCRIPTION OF THE CAP SET



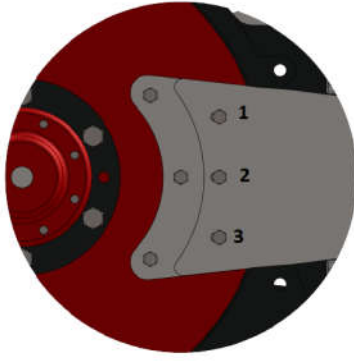


Figure 7 What to do if the lid falls down

If the machine cover has fallen down, the bolts numbered on the detail view are loosened. The position of the cover is adjusted and the bolts tightened.

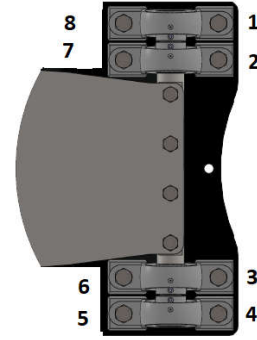


Figure 8 What to do if the cover slides to the right or left

If the machine cover slides to the right or left, the bolts numbered in detail view are loosened. The cover is turned to the desired position and the bolts are tightened.

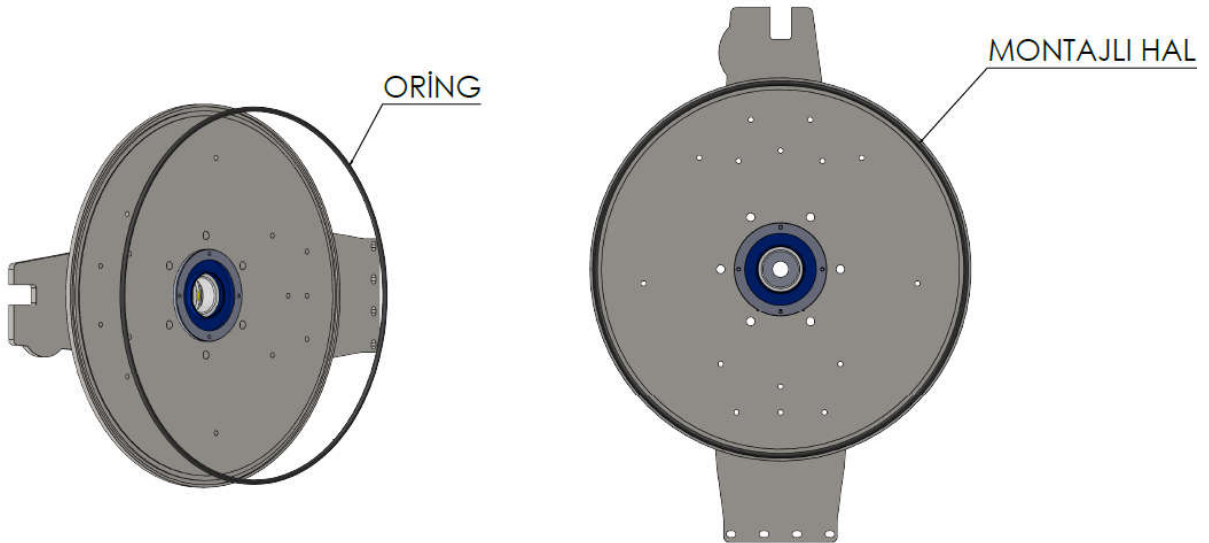


Figure 9 Oring replacement

O-rings are round (O-shaped) elements used as a mechanical seal. It is important that the o-rings that have wear properties are regularly checked. In case of abrasion, the o-rings will lose their sealing properties and cause the machine to run noisy. In case of o-ring wear, o-ring is removed from where it is mounted and replaced with new o-ring using a screwdriver etc. When the new o-ring is fitted, the machine must be sanded to ensure that it is comfortable for the inner drum.

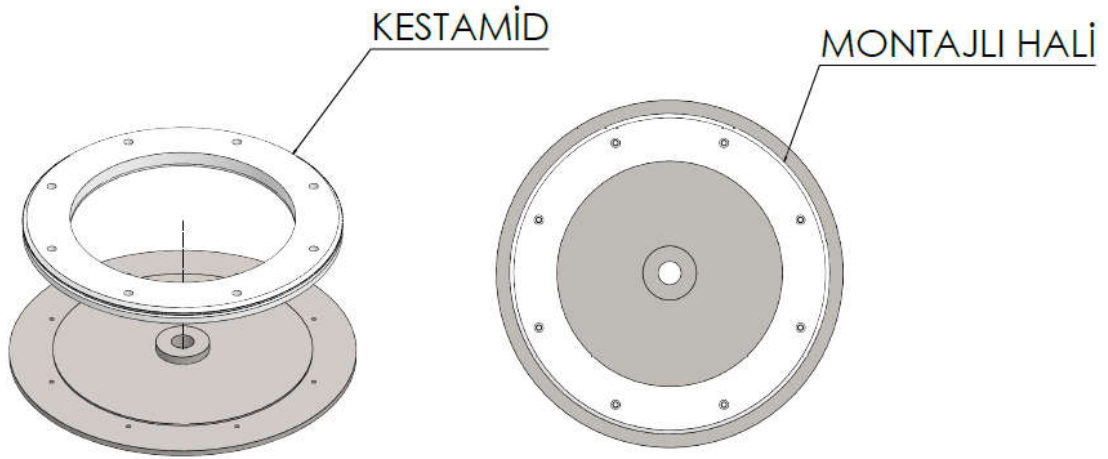


Figure 10 Castermid replacement

Castermid was used as the bearing element in this machine. They wear in long-term use. For this reason, if the controls of the castermids are done and if eroded, it is necessary to remove the worn castermid and replace it with a new castermid.

WARNING SIGNS



The machine should not be opened before it is completely stopped. Attempting to open the cover may cause serious injury.



No interference should be made to the wiring of the motors without deenergizing the machine.

ELECTRONIC CIRCUIT DIAGRAMS

